

EXTRAIT D'UN CATALOGUE DISPONIBLE EN LIGNE AU
SITE WEB DE KML

Désolé, il n'y a que la version anglaise de disponible.

Dimensions seulement, pour plus de détail et de données
visitez leur site web www.kmlbearingusa.com

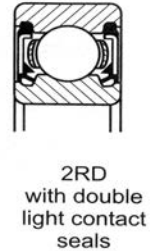
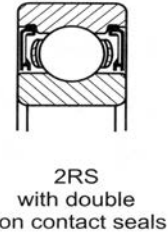
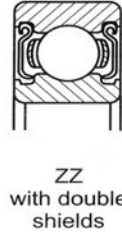
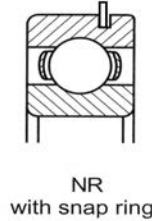
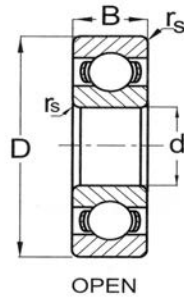


BALL BEARINGS



DEEP GROOVE BALL BEARINGS

Metric Size Bearing
6800, 6900, 6000
6200, 6300 Series

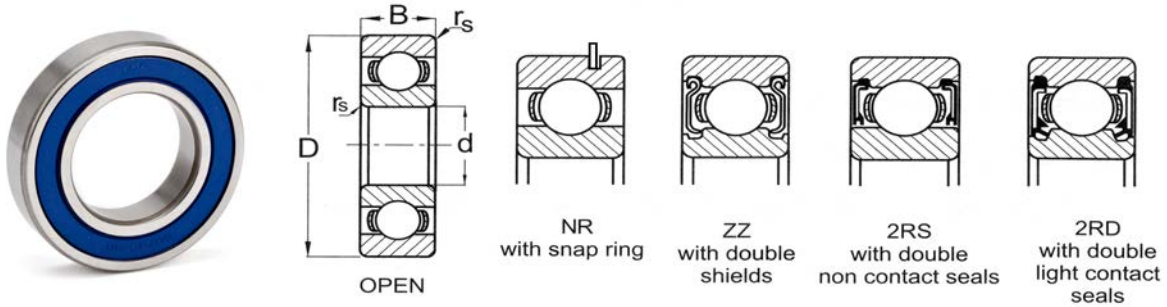


Boundary dimensions (mm)				Basic load ratings (N)		Limiting speeds RPM		Mass (kg) open type	Bearings No. open type
d	D	B	rs min	dynamic (Cr)	static (Cor)	Grease (ZZ, 2RS)	oil open		
10	19	5	0.3	1 830	925	32 000	38 000	0.005	6 800
	22	6	0.3	2 700	1 270	30 000	36 000	0.009	6 900
	26	8	0.3	4 550	1 960	29 000	34 000	0.019	6 000
	30	9	0.6	5 100	2 390	25 000	30 000	0.032	6 200
	35	11	0.6	5 200	3 500	23 000	27 000	0.058	6 300
12	21	5	0.3	1 920	1 040	29 000	35 000	0.006	6 801
	24	6	0.3	2 890	1 460	27 000	32 000	0.011	6 901
	28	8	0.3	5 100	2 390	26 000	30 000	0.021	6 001
	32	10	0.6	6 100	2 750	22 000	26 000	0.037	6 201
	37	12	1.0	9 700	4 200	20 000	24 000	0.060	6 301
15	24	5	0.3	2 080	1 260	26 000	31 000	0.007	6 802
	28	7	0.3	4 100	2 060	24 000	28 000	0.016	6 902
	32	9	0.3	5 600	2 840	22 000	26 000	0.030	6 002
	35	11	0.6	7 750	2 600	19 000	23 000	0.045	6 202
	42	13	1.0	11 400	5 450	17 000	21 000	0.082	6 302
17	26	5	0.3	2 810	1 720	24 000	28 000	0.008	6 803
	30	7	0.3	4 650	2 580	22 000	26 000	0.018	6 903
	35	10	0.3	6 800	3 350	20 000	24 000	0.039	6 003
	40	12	0.3	9 600	4 600	18 000	21 000	0.068	6 203
	47	14	1.0	13 500	6 550	16 000	19 000	0.115	6 303
20	32	7	0.3	4 000	2 470	21 000	25 000	0.019	6 804
	37	9	0.3	6 400	3 700	19 000	23 000	0.038	6 904
	42	12	0.6	9 400	5 050	18 000	21 000	0.069	6 004
	47	14	1.0	12 800	6 650	16 000	18 000	0.106	6 204
	52	15	1.1	15 900	7 900	14 000	17 000	0.144	6 304
22	44	12	0.6	9 400	5 150	17 000	20 000	0.074	60/22
	50	14	1.0	12 900	6 800	14 000	17 000	0.117	62/22
	56	16	1.1	18 400	9 250	13 000	15 000	0.176	63/22
25	37	7	0.3	4 300	2 950	18 000	21 000	0.022	6 805
	42	9	0.3	7 050	4 550	16 000	19 000	0.042	6 905
	47	12	0.6	10 400	5 850	15 000	18 000	0.080	6 005
	52	15	1.0	14 000	7 850	13 000	15 000	0.128	6 205
	62	17	1.1	21 200	10 900	12 000	14 000	0.232	6 305
28	52	12	0.6	12 500	7 400	14 000	16 000	0.098	60/28
	58	16	1.0	17 900	9 700	12 000	14 000	0.171	62/28
	68	18	1.1	26 700	14 000	11 000	13 000	0.280	63/28
30	42	7	0.3	4 700	3 650	15 000	18 000	0.026	6 806
	47	9	0.3	7 250	5 000	14 000	17 000	0.046	6 906
	55	13	1.0	13 200	8 300	13 000	15 000	0.116	6 006
	62	16	1.0	19 500	11 300	11 000	13 000	0.200	6 206
	72	19	1.1	26 700	15 000	10 000	12 000	0.360	6 306
32	58	12	1.0	15 100	9 150	12 000	15 000	0.129	60/32
	65	17	1.0	20 700	11 600	11 000	12 000	0.226	62/32
	75	20	1.1	29 800	16 900	9 500	11 000	0.380	63/32



DEEP GROOVE BALL BEARINGS

Metric Size Bearing
6800, 6900, 6000
6200, 6300 Series



Boundary dimensions (mm)				Basic load ratings (N)		Limiting speeds RPM		Mass (kg)	Bearings No.	
d	D	B	rs min	dynamic (Cr)	static (Cor)	Grease (ZZ, 2RS)	oil open	open type	open type	
35	47	7	0.3	4 900	4 050	13 000	16 000	0.029	6 807	
	55	10	0.6	11 200	7 450	12 000	15 000	0.074	6 907	
	62	14	1.0	16 000	10 300	12 000	14 000	0.155	6 007	
	72	17	1.1	25 700	15 300	9 800	11 000	0.290	6 207	
	80	21	1.5	33 500	19 100	8 800	10 000	0.460	6 307	
40	52	7	0.3	5 100	4 400	12 000	14 000	0.033	6 808	
	62	12	0.6	14 600	10 200	11 000	13 000	0.110	6 908	
	68	15	1.0	16 800	11 500	10 000	12 000	0.190	6 008	
	80	18	1.1	29 100	17 800	8 700	10 000	0.370	6 208	
	90	23	1.5	40 500	24 000	7 800	9 200	0.630	6 308	
45	58	7	0.3	6 400	5 650	11 000	12 000	0.040	6 809	
	68	12	0.6	15 100	11 200	9 800	12 000	0.128	6 909	
	75	16	1.0	21 000	15 100	9 200	11 000	0.240	6 009	
	85	19	1.1	32 500	20 400	7 800	9 200	0.400	6 209	
	100	25	1.5	53 000	32 000	7 000	8 200	0.810	6 309	
50	65	7	0.3	6 600	6 100	9 600	11 000	0.050	6 810	
	72	12	0.6	15 600	12 200	8 900	11 000	0.130	6 910	
	80	16	1.0	21 800	16 600	8 400	9 800	0.260	6 010	
	90	20	1.1	35 000	23 200	7 100	8 300	0.450	6 210	
	110	27	2.0	62 000	38 500	6 400	7 500	1.070	6 310	
55	90	18	1.1	28 300	21 200	7 700	9 000	0.390	6 011	
	100	21	1.5	43 500	29 200	6 400	7 600	0.600	6 211	
	120	29	2.0	71 500	4 500	5 800	6 800	1.370	6 311	
	60	95	18	0.0	29 500	23 200	7 000	8 300	0.000	6 012
		110	22	1.5	52 500	36 000	6 000	7 000	0.000	6 212
130		31	0.0	82 000	52 000	5 400	6 300	0.000	6 312	
65	100	18	0.0	30 500	25 200	6 500	7 700	0.000	6 013	
	120	23	1.5	57 500	40 000	5 500	6 500	0.000	6 213	
	140	33	0.0	92 500	60 000	4 900	5 800	0.000	6 313	
70	110	20	0.0	38 000	31 000	6 100	7 100	0.000	6 014	
	125	24	1.5	62 000	44 000	5 100	6 000	0.000	6 214	
	150	35	0.0	10 400	68 000	4 600	5 400	0.000	6 314	
75	115	20	0.0	39 500	33 500	5 700	6 700	0.000	6 015	
	130	25	1.5	66 000	48 500	4 800	5 600	0.000	6 215	
	160	37	0.0	113 000	77 000	4 300	5 000	3.000	6 315	
80	125	22	0.0	47 500	40 000	5 300	6 200	0.000	6 016	
	140	26	2.0	72 500	53 000	4 500	5 300	0.000	6 216	
	170	39	0.0	123 000	86 500	4 000	4 700	0.000	6 316	

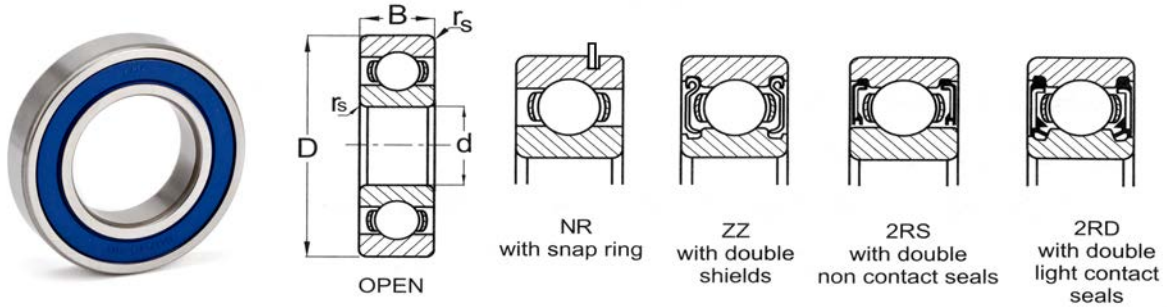


BALL BEARINGS



DEEP GROOVE BALL BEARINGS

Metric Size Bearing
6800, 6900, 6000
6200, 6300 Series



Boundary dimensions (mm)				Basic load ratings (N)		Limiting speeds RPM		Mass (kg) open type	Bearings No. open type
d	D	B	rs min	dynamic (Cr)	static (Cor)	Grease (ZZ, 2RS)	oil open		
85	130	22	0.0	49 500	43 000	5 000	5 900	0.000	6 017
	150	28	2.0	83 500	64 000	4 200	5 000	0.000	6 217
	180	41	3.0	133 000	97 000	3 800	4 500	0.000	6 317
90	140	24	1.5	58 000	49 500	4 700	5 600	0.000	6018
	160	30	2.0	96 000	71 500	4 000	4 700	0.000	6218
95	145	24	1.5	60 500	54 000	4 500	5 300	0.000	6019
	170	32	0.0	109 000	82 000	3 700	4 400	0.000	6219
100	150	24	1.5	60 000	54 000	4 200	5 000	0.000	6020
	180	34	0.0	122 000	93 000	3 500	4 200	0.000	6220
105	160	26	2.0	72 500	65 500	4 000	4 700	0.000	6021
110	170	28	2.0	82 000	73 000	3 800	4 500	1.960	6022

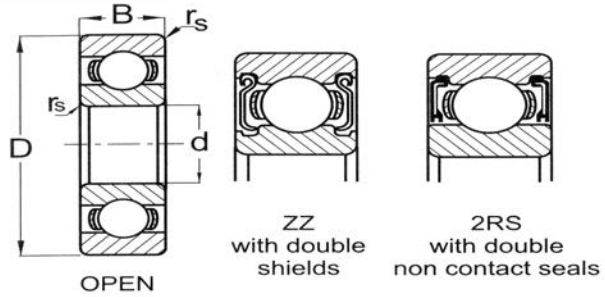


BALL BEARINGS



DEEP GROOVE BALL BEARINGS

Inch Size
R Series



d		D		B				r smin		Mass (kg) open type	Bearings No.	
In.	mm	In.	mm	open		Shield/Seal		In.	mm		FAG KOYO	KML
				In.	mm	In.	mm					
1/8	3.175	3/8	9.525	0.1563	3.97	0.1543	3.92	0.012	0.30	0.0015	EE0	R2
1/8	3.175	1/2	12.700	0.1720	4.37	0.1720	4.37	0.012	0.30	0.0032	-	R2A
3/16	4.763	1/2	12.700	0.1563	3.97	0.1961	4.98	0.012	0.30	0.0023	EE1	R3
3/16	4.763	5/8	15.875	0.1961	4.98	0.1961	4.98	0.012	0.30	0.0027	-	R3A
1/4	6.350	5/8	15.875	0.1961	4.98	0.1961	4.98	0.012	0.30	0.0045	EE2	R4
1/4	6.350	3/4	19.050	0.2189	5.56	0.2811	7.14	0.016	0.40	0.0077	-	R4A
3/8	9.525	7/8	22.225	0.2189	5.56	0.2811	7.14	0.016	0.40	0.011	EE3	R6
1/2	12.700	1-1/8	28.575	0.2500	6.35	0.3126	7.94	0.016	0.40	0.018	EE4	R8
5/8	15.875	1-3/8	34.925	0.2181	5.54	0.3437	8.73	0.031	0.80	0.037	EE5	R10
3/4	19.050	1-5/8	41.275	0.3126	7.94	0.4374	11.11	0.031	0.80	0.047	EE6	R12
7/8	22.225	1-7/8	47.625	0.3752	9.53	0.5000	12.70	0.031	0.80	0.071	EE8	R14
1	25.400	2	50.800	0.3752	9.53	0.5000	12.70	0.031	0.80	0.085	EE9	R16
1-1/8	28.575	2-1/8	53.975	0.3752	9.53	0.5000	12.70	0.031	0.80	0.090	EE10	R18
1-1/4	31.750	2-1/4	57.150	0.3752	9.53	0.5000	12.70	0.031	0.80	0.095	EE11	R20
1-3/8	34.925	2-1/2	63.500	0.4374	11.11	0.5626	14.29	0.031	0.80	0.106	EE12	R22
1-1/2	38.100	2-5/8	66.675	0.4374	11.11	0.5626	14.29	0.031	0.80	0.141	EE13	R24

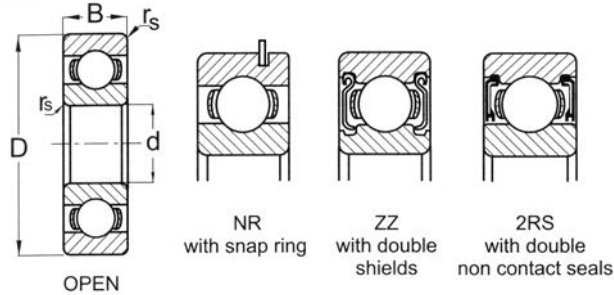


BALL BEARINGS



DEEP GROOVE BALL BEARINGS

Inch Size
1600 Series



Boundary Dimensions								Basic load ratings (N)		Mass (kg) open type	Bearings No. open type
d		D		B		r smin		dynamic Cr	static Cor		
In.	mm	In.	mm	In.	mm	In.	mm				
3/16	4.762	11/16	17.462	*1/4	6.350	0.012	0.3	1 510	720	0.007	1601
1/4	6.350	11/16	17.462	*1/4	6.350	0.012	0.3	1 510	720	0.006	1602
5/16	7.938	7/8	22.225	**9/32	7.144	0.012	0.3	2 540	1 340	0.010	1603
3/8	9.525	7/8	22.225	**9/32	7.144	0.015	0.4	2 540	1 340	0.015	1604
5/16	7.938	29/32	23.019	5/16	7.938	0.012	0.3	2 540	1 340	0.012	1605
3/8	9.525	29/32	23.019	5/16	7.938	0.015	0.4	2 540	1 340	0.014	1606
7/16	11.112	29/32	23.019	5/16	7.938	0.015	0.4	3 550	1 930	0.016	1607
3/8	9.525	1-1/8	28.575	3/8	9.525	0.025	0.6	3 920	2 240	0.035	1614
7/16	11.112	1-1/8	28.575	3/8	9.525	0.025	0.6	3 920	2 240	0.032	1615
1/2	12.700	1-1/8	28.575	3/8	9.525	0.025	0.6	3 920	2 240	0.030	1616
7/16	11.112	1-3/8	34.925	7/16	11.112	0.025	0.6	5 880	3 470	0.050	1620
1/2	12.700	1-3/8	34.925	7/16	11.112	0.025	0.6	5 880	3 470	0.048	1621
9/16	14.288	1-3/8	34.925	7/16	11.112	0.025	0.6	5 880	3 470	0.046	1622
5/8	15.875	1-3/8	34.925	7/16	11.112	0.025	0.6	5 880	3 470	0.040	1623
5/8	15.875	1-5/8	41.275	1/2	12.700	0.025	0.6	7 230	4 440	0.072	1628
3/4	19.050	1-5/8	41.275	1/2	12.700	0.025	0.6	7 230	4 440	0.065	1630
5/8	15.875	1-3/4	44.450	1/2	12.700	0.025	0.6	7 230	4 440	0.090	1633
3/4	19.050	1-3/4	44.450	1/2	12.700	0.025	0.6	7 230	4 440	0.085	1635
3/4	19.050	2	50.800	9/16	14.288	0.035	0.9	10 780	6 940	0.120	1638
7/8	22.225	2	50.800	9/16	14.288	0.035	0.9	10 780	6 940	0.110	1640
1	25.400	2	50.800	9/16	14.288	0.035	0.9	10 780	6 940	0.100	1641
1-1/8	28.575	2-1/2	63.500	5/8	15.875	0.035	0.9	12 800	8 400	0.210	1652
1-1/4	31.750	2-1/2	63.500	5/8	15.875	0.035	0.9	12 800	8 400	0.190	1654
1-1/4	31.750	2-9/16	65.088	11/16	17.462	0.035	0.9	14 970	10 000	0.220	1657
1-5/16	33.338	2-9/16	65.088	11/16	17.462	0.035	0.9	14 970	10 000	0.200	1658

* Width sealed or shielded - 5/16"

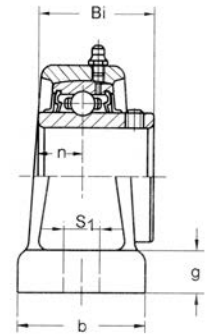
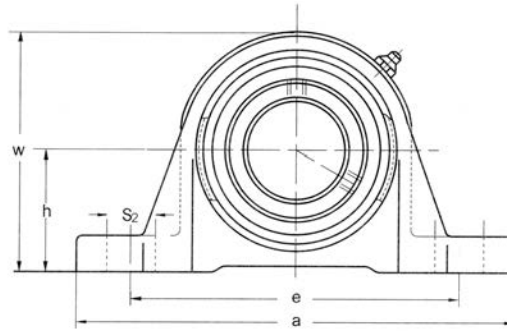
** Width sealed or shielded - 11/32"



BEARING UNITS



PILLOW BLOCKS - Standard Shaft Height
UCPE 200 Series
 Normal Duty
 Set Screw Locking
 Solid Base



Unit No.	Shaft Dia.		Dimensions inch / mm									Bolt Size	Bearing No.	Housing No.	Weight Lbs kg	
	In.	mm	h	a	e	b	S1	S2	g	w	Bi					n
UCPE 201-8	1/2													UC 201-8		
202-10	5/8		1-5/16	5	3-3/4	1-1/2	1/2	5/8	19/32	2-9/16	1.221	0.500	3/8	202-10	PE204	1.7
204		20	33.3	127	95	38	13	16	15	65	31	12.7	M10	204		0.8
204-12	3/4													204-12		
UCPE 205		25												UC 205		
205-14	7/8		1-7/16	5-1/2	4-1/8	1-1/2	1/2	5/8	5/8	2-3/4	1.339	0.563	3/8	205-14	PE205	2.2
205-15		15/16	36.6	140	105	38	13	16	16	70	34	14.3	M10	205-15		1
205-16	1													205-16		
UCPE 206		30												UC 206		
206-17	1-1/16		1-11/16	6-1/2	4-49/64	1-7/8	21/32	13/16	23/32	3-9/32	1.500	0.626	1/2	206-17	PE206	3.5
206-18		1-1/8	42.9	165	121	48	17	21	18	83	38.1	15.9	M14	206-18		1.6
206-19	1-3/16													206-19		
206-20	1-1/4S													206-20		
UCPE 207		35												UC 207		
207-20	1-1/4		1-7/8	6-9/16	5	1-7/8	21/32	13/16	3/4	3-11/16	1.689	0.689	1/2	207-20	PE207	4.6
207-21		1-5/16	47.6	167	127	48	17	21	19	94	42.9	17.5	M14	207-21		2.1
207-22	1-3/8													207-22		
207-23	1-7/16													207-23		
UCPE 208		40												UC 208		
208-24	1-1/2		1-15/16	7-1/4	5-25/64	2-1/8	21/32	31/32	3/4	3-15/16	1.937	0.748	1/2	208-24	PE208	5.7
208-25		1-9/16	49.2	184	137	54	17	25	19	100	49.2	19.0	M14	208-25		2.6
UCPE 209		45												UC 209		
209-26	1-5/8		2-1/8	7-15/32	5-3/4	2-1/8	21/32	31/32	25/32	4-1/4	1.937	0.748	1/2	209-26	PE209	6.6
209-27		1-11/16	54.0	190	146	54	17	25	20	108	49.2	19.0	M14	209-27		3
209-28	1-3/4													209-28		
UCPE 210		50												UC 210		
210-30	1-7/8		2-1/4	8-1/8	6-1/4	2-3/8	25/32	31/32	7/8	4-1/2	2.032	0.748	5/8	210-30	PE210	7.9
210-31		1-15/16	57.2	206	159	60	20	25	22	114	51.6	19.0	M16	210-31		3.6
210-32	2S													210-32		
UCPE 211		55												UC 211		
211-32	2		2-1/2	8-5/8	6-23/32	2-3/8	25/32	31/32	7/8	4-31/32	2.189	0.874	5/8	211-32	PE211	9.7
211-34		2-1/8	63.5	219	171	60	20	25	22	126	55.6	22.2	M16	211-34		4.4
211-35	2-3/16													211-35		
UCPE 212		60												UC 212		
212-36	2-1/4		2-3/4	9-1/2	7-1/4	2-3/4	25/32	31/32	31/32	5-7/16	2.563	1.000	5/8	212-36	PE212	13.6
212-37		2-5/16	69.8	241	184	70	20	25	25	138	65.1	25.4	M16	212-37		6.2
212-38	2-3/8													212-38		
212-39	2-7/16													212-39		
UCPE 213		65												UC 213		
213-40	2-1/2		3	10-7/16	8	2-3/4	31/32	1-3/16	1-1/16	6-29/64	2.563	1.000	3/4	213-40	PE213	15.4
213-41		2-9/16	76.2	265	203	70	25	29	27	150	65.1	25.4	M20	213-41		7
UCPE 214		70												UC 214		
214-42	2-5/8		3-1/8	10-15/32	8-9/32	2-27/32	31/32	1-1/4	1-1/16	6-3/16	2.937	1.189	3/4	214-42	PE214	16.7
214-43		2-11/16	79.4	266	210	72	25	31	27	156	74.6	30.2	M20	214-43		7.6
214-44	2-3/4													214-44		
UCPE 215		75												UC 215		
215-45	2-13/16		3-1/4	10-13/16	8-17/32	2-29/32	31/32	1-1/4	1-3/32	6-13/32	3.063	1.311	3/4	215-45	PE215	18.7
215-46		2-7/8	82.6	275	217	74	25	31	28	163	77.8	33.3	M20	215-46		8.5
215-47	2-15/16													215-47		
215-48	3													215-48		



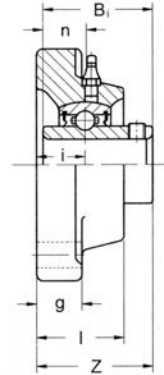
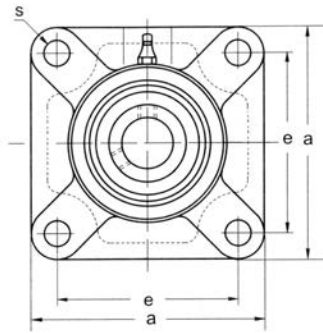
BEARING UNITS



FOUR BOLT FLANGE UNITS

UCF200 Series

Normal Duty
Set Screw Locking



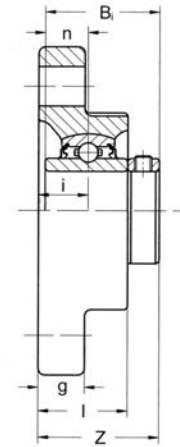
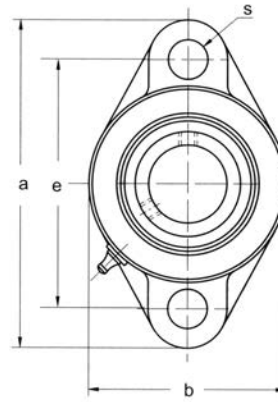
Unit No.	Shaft Dia.		Dimensions inch / mm								Bolt Size	Bearing No.	Housing No.	Weight Lbs kg	
	In.	mm	a	e	i	g	l	s	z	Bi					n
UCF 201-8 202-10 204 204-12	1/2 5/8 3/4	20	3-25/64 86	2-1/2 63.5	19/32 15	7/16 11	1 25.4	15/32 12	1.5/16 33.3	1.220 31	0.500 12.7	3/8 M10	UC 201-8 202-10 204 204-12	F204	1.54 0.7
UCF 205 205-14 205-15 205-16	7/8 15/16 1	25	3-3/4 95	2-3/4 70	5/8 16	1/2 13	1-1/16 27	15/32 12	1-13/32 35.7	1.339 34	0.563 14.3	3/8 M10	UC 205 205-14 205-15 205-16	F205	1.76 0.8
UCF 206 206-17 206-18 206-19 206-20	1-1/16 1-1/8 1-3/16 1-1/4S	30	4-1/4 108	3-9/32 83	23/32 18	1/2 13	1-1/4 31	15/32 12	1-37/64 40.2	1.500 38.1	0.626 15.9	3/8 M10	UC 206 206-17 206-18 206-19 206-20	F206	2.20 1.0
UCF 207 207-20 207-21 207-22 207-23	1-1/4 1-5/16 1-3/8 1-7/16	35	4-19/32 117	3-5/8 92	3/4 19	19/32 15	1-11/32 34	9/16 14	1-3/4 44.4	1.689 42.9	0.689 17.5	7/16 M12	UC 207 207-20 207-21 207-22 207-23	F207	3.08 1.4
UCF 208 208-24 208-25	1-1/2 1-9/16	40	5-1/8 130	4-1/64 102	13/16 21	19/32 15	1-13/32 36	5/8 16	2-1/64 51.2	1.937 49.2	0.748 19	1/2 M14	UC 208 208-24 208-25	F208	3.96 1.8
UCF 209 209-26 209-27 209-28	1-5/8 1-11/16 1-3/4	45	5-25/64 137	4-1/8 105	7/8 22	5/8 16	1-1/2 38	5/8 16	2-1/16 52.2	1.937 49.2	0.748 19	1/2 M14	UC 209 209-26 209-27 209-28	F209	4.84 2.2
UCF 210 210-30 210-31 210-32	1-7/8 1-15/16 2S	50	5-5/8 143	4-3/8 111	7/8 22	5/8 16	1-9/16 40	5/8 16	2-5/32 54.6	2.031 51.6	0.748 19	1/2 M14	UC 210 210-30 210-31 210-32	F210	5.28 2.4
UCF 211 211-32 211-34 211-35	2 2-1/8 2-3/16	55	6-3/8 162	5-1/8 130	31/32 25	23/32 18	1-11/16 43	3/4 19	2-9/32 58.4	2.187 55.6	0.874 22.2	5/8 M16	UC 211 211-32 211-34 211-35	F211	7.92 3.6
UCF 212 212-36 212-37 212-38 212-39	2-1/4 2-5/16 2-3/8 2-7/16	60	6-7/8 175	5-5/8 143	1-3/16 29	23/32 18	1-7/8 48	3/4 19	2-45/64 68.7	2.563 65.1	1.000 25.4	5/8 M16	UC 212 212-36 212-37 212-38 212-39	F212	9.68 4.4
UCF 213 213-40 213-41	2-1/2 2-9/16	65	7-3/8 187	5-55/64 149	1-3/16 30	7/8 22	1-31/32 50	3/4 19	2-3/4 69.7	2.563 65.1	1.000 25.4	5/8 M16	UC 213 213-40 213-41	F213	12.10 5.5
UCF 214 214-42 214-43 214-44	2-5/8 2-11/16 2-3/4	70	7-19/32 193	5-31/32 152	1-1/4 31	7/8 22	2-1/8 54	3/4 19	2-31/32 75.4	2.937 74.6	1.189 30.2	5/8 M16	UC 214 214-42 214-43 214-44	F214	13.42 6.1
UCF 215 215-47 215-48	2-15/16 3	75	7-7/8 200	6-1/4 159	1-11/32 34	7/8 22	2-7/32 56	3/4 19	3-3/32 78.5	3.063 77.8	1.311 33.3	5/8 M16	UC 215 215-47 215-48	F215	15.18 6.9



BEARING UNITS



TWO BOLT FLANGE UNITS UCFL 200 Series Normal Duty Set Screw Locking



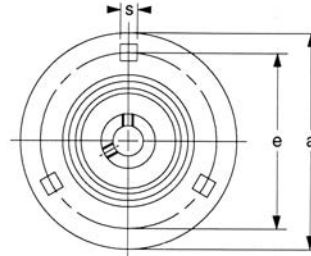
Unit No.	Shaft Dia.		Dimensions inch / mm										Bolt Size	Bearing No.	Housing No.	Weight Lbs kg
	In.	mm	a	e	i	g	l	s	b	z	Bi	n				
UCFL 201-8	1/2		4-7/16 113	3-17/32 90	19/32 15	7/16 11	1 25.5	15/32 12	2-3/8 60	1-5/16 33.3	1.220 31	0.500 12.7	M10 3/8	UC 201-8	FL204	1.10 0.5
202-10	5/8													UC 202-10		
204-12	3/4													UC 204-12		
204	20													UC 204		
UCFL 205		25	5-1/8 130	3-57/64 99	5/8 16	1/2 13	1-1/16 27	5/8 16	2-11/16 68	1-13/32 35.7	1.339 34	0.563 14.3	M14 1/2	UC 205	FL205	1.32 0.6
205-14	7/8													UC 205-14		
205-15	15/16													UC 205-15		
205-16	1													UC 205-16		
UCFL 206		30	5-13/16 148	4-19/32 117	23/32 18	1/2 13	1-1/4 31	5/8 16	3-5/32 80	1-37/64 40.2	1.500 38.1	0.626 15.9	M14 1/2	UC 206	FL206	1.98 0.9
206-17	1-1/16													UC 206-17		
206-18	1-1/8													UC 206-18		
206-19	1-3/16													UC 206-19		
206-20	1-1/4S		UC 206-20													
UCFL 207		35	6-11/32 161	5-1/8 130	3/4 19	19/32 15	1-11/32 34	5/8 16	3-35/64 90	1-3/4 44.4	1.689 42.9	0.689 17.5	M14 1/2	UC 207	FL207	2.64 1.2
207-20	1-1/4													UC 207-20		
207-21	1-5/16													UC 207-21		
207-22	1-3/8													UC 207-22		
207-23	1-7/16		UC 207-23													
UCFL 208		40	6-7/8 175	5-11/16 144	13/16 21	19/32 15	1-13/32 36	5/8 16	3-15/16 100	2-1/64 51.2	1.937 49.2	0.748 19	M14 1/2	UC 208	FL208	3.52 1.6
208-24	1-1/2													UC 208-24		
208-25	1-9/16													UC 208-25		
UCFL 209		45	7-13/32 188	5-13/16 148	7/8 22	5/8 16	1-1/2 38	3/4 19	4-1/4 108	2-1/16 52.2	1.937 49.2	0.748 19	M16 5/8	UC 209	FL209	4.18 1.9
209-26	1-5/8													UC 209-26		
209-27	1-11/16													UC 209-27		
209-28	1-3/4													UC 209-28		
UCFL 210		50	7-3/4 197	6-3/16 157	7/8 22	5/8 16	1-9/16 40	3/4 19	4-9/16 116	2-5/32 54.6	2.031 51.6	0.748 19	M16 5/8	UC 210	FL210	4.84 2.2
210-30	1-7/8													UC 210-30		
210-31	1-15/16													UC 210-31		
210-32	2S													UC 210-32		
UCFL 211		55	8-13/16 224	7-1/4 184	31/32 25	23/32 18	1-11/16 43	3/4 19	5-1/8 130	2-9/32 58.4	2.187 55.6	0.874 22.2	M16 5/8	UC 211	FL211	6.82 3.1
211-32	2													UC 211-32		
211-34	2-1/8													UC 211-34		
211-35	2-3/16													UC 211-35		
UCFL 212		60	9-27/32 250	7-61/64 202	1-3/16 29	23/32 18	1-7/8 48	29/32 23	5-1/2 140	2-45/64 68.7	2.563 65.1	1.000 25.4	M20 3/4	UC 212	FL212	8.80 4
212-36	2-1/4													UC 212-36		
212-37	2-5/16													UC 212-37		
212-38	2-3/8													UC 212-38		
212-39	2-7/16		UC 212-39													
UCFL 213		65	10-5/32 258	8-9/32 210	1-3/16 30	25/32 20	1-31/32 50	29/32 23	6-3/32 155	2-3/4 69.7	2.563 65.1	1.000 25.4	M20 3/4	UC 213	FL213	11.00 5
213-40	2-1/2													UC 213-40		
213-41	2-9/16													UC 213-41		
UCFL 214		70	10-7/16 265	8-1/2 216	1-1/4 31	25/32 20	2-1/8 54	29/32 23	6-5/16 160	2-31/32 75.4	2.937 74.6	1.189 30.2	M20 3/4	UC 214	FL214	12.32 5.6
214-42	2-5/8													UC 214-42		
214-43	2-11/16													UC 214-43		
214-44	2-3/4													UC 214-44		
UCFL 215		75	10-13/16 275	8-55/64 225	1-11/32 34	25/32 20	2-7/32 56	29/32 23	6-1/2 165	3-3/32 78.5	3.063 77.8	1.311 33.3	M20 3/4	UC 215	FL215	13.64 6.2
215-45	2-13/16													UC 215-45		
215-46	2-7/8													UC 215-46		
215-47	2-15/16													UC 215-47		
215-48	3		UC 215-48													



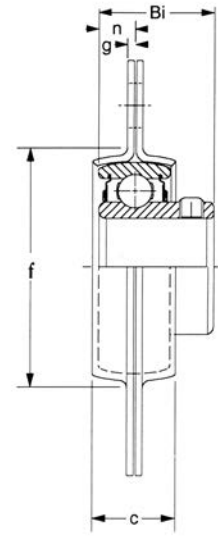
BEARING UNITS



ROUND FLANGETTE UNITS - Three Bolt Mount
SBPF 200 Series
 Light Duty
 Set Screw Locking



PF203 - PF207



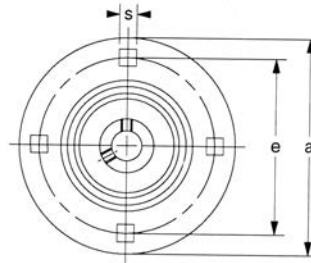
Unit No.	Shaft Dia.		Dimensions inch / mm								Bolt Size	No. of Bolt Holes	Bearing No.	Housing No.	Weight Lbs kg
	In.	mm	a	e	g	c	s	f	Bi	n					
SBPF 201-8 202-10	1/2 5/8		3-3/16 81	2-33/64 64	0.079 2	9/16 14	9/32 7	1-59/64 49	0.866 22	0.236 6.0	1/4 M6	3	SB 201-8 202-10	PF203	0.660 0.30
SBPF 204 204-12	3/4	20	3-35/64 90	2-51/64 71	0.083 2.1	5/8 16	11/32 9	2-7/32 56	0.984 25	0.276 7.0	5/16 M8	3	SB 204 204-12	PF204	0.726 0.33
SBPF 205 205-14 205-15 205-16	7/8 15/16 1	25	3-3/4 95	2-63/64 76	0.083 2.1	21/32 17	11/32 9	2-19/32 66	1.063 27	0.295 7.5	5/16 M8	3	SB 205 205-14 205-15 205-16	PF205	0.836 0.38
SBPF 206 206-17 206-18 206-19 206-20	1-1/16 1-1/8 1-3/16 1-1/4S	30	4-7/16 113	3-35/64 90	0.102 2.6	21/32 17	13/32 10	2-51/64 71	1.181 30	0.315 8.0	3/8 M10	3	SB 206 206-17 206-18 206-19 206-20	PF206	1.408 0.64
SBPF 207 207-20 207-21 207-22 207-23	1-1/4 1-5/16 1-3/8 1-7/16	35	4-13/16 122	3-15/16 100	0.102 2.6	3/4 19	13/32 10	3-3/16 81	1.260 32	0.335 8.5	3/8 M10	3	SB 207 207-20 207-21 207-22 207-23	PF207	1.804 0.82



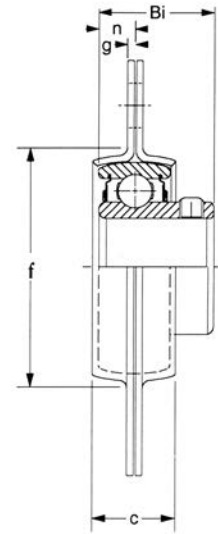
BEARING UNITS



ROUND FLANGETTE UNITS - Four Bolt Mount
SBPF 200 Series
 Light Duty
 Set Screw Locking



PF208



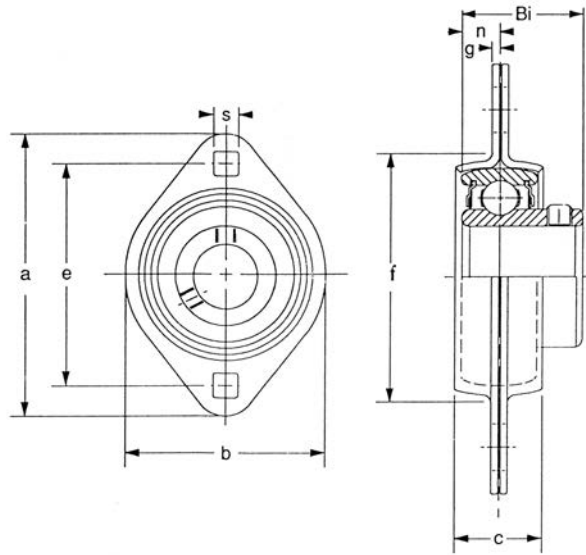
Unit No.	Shaft Dia.		Dimensions inch / mm							Bolt Size	No. of Bolt Holes	Bearing No.	Housing No.	Weight Lbs kg
	In.	mm	a	e	g	c	s	f	Bi					
SBPF 208		40												
208-24	1-1/2		5-13/16	4-11/16	0.134	13/16	1/2	3-35/64	1.339	0.354	1/2	4	SB 208	
208-25	1-9/16		148	119	3.4	21	13	90	34	9.0	M14		208-24	2.200
													208-25	1



BEARING UNITS



TWO BOLT FLANGETTE UNITS SBPFL 200 Series Light Duty Set Screw Locking



Unit No.	Shaft Dia.		Dimensions inch / mm								Bolt Size	Bearing No.	Housing No.	Weight Lbs kg	
	In.	mm	a	e	g	c	s	b	f	Bi					n
SBPFL 201-8 202-10	1/2 5/8		3-3/16 81	2-33/64 64	0.075 1.9	9/16 14	9/32 7	2-21/64 59	1-59/64 49	0.866 22	0.236 6.0	1/4 M6	SB 201-8 202-10	PFL203	0.42 0.19
SBPFL 204 204-12	3/4	20	3-35/64 90	2-51/64 71	0.083 2.1	5/8 16	11/32 9	2-5/8 67	2-7/32 56	0.954 25	0.276 7.0	5/16 M8	SB 204 204-12	PFL204	0.53 0.24
SBPFL 205 205-14 205-15 205-16	7/8 15/16 1	25	3-3/4 95	2-63/64 76	0.083 2.1	21/32 17	11/32 9	2-51/64 71	2-3/8 60	1.063 27	0.295 7.5	5/16 M8	SB 205 205-14 205-15 205-16	PFL205	0.62 0.28
SBPFL 206 206-17 206-18 206-19 206-20	1-1/16 1-1/8 1-3/16 1-1/4S	30	4-7/16 113	3-35/64 90	0.102 2.6	21/32 17	13/32 10	3-5/16 84	2-51/64 71	1.181 30	0.315 8.0	3/8 M10	SB 206 206-17 206-18 206-19 206-20	PFL206	0.84 0.38
SBPFL 207 207-20 207-21 207-22 207-23	1-1/4 1-5/16 1-3/8 1-7/16	35	4-29/32 125	3-15/16 100	0.102 2.6	7/8 22	13/32 10	3-11/16 94	3-3/16 81	1.260 32	0.335 8.5	3/8 M10	SB 207 207-20 207-21 207-22 207-23	PFL207	0.99 0.45